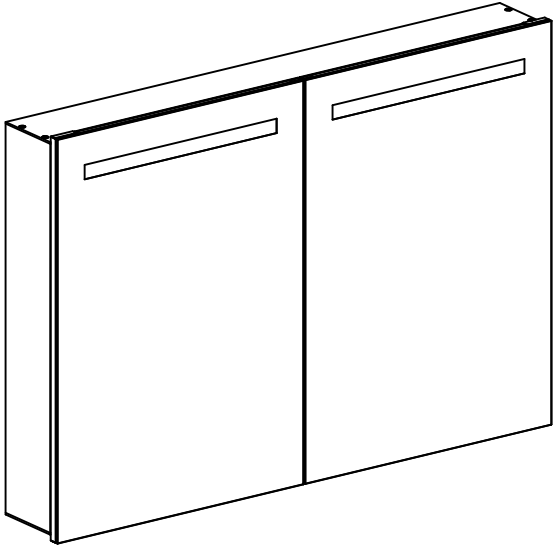
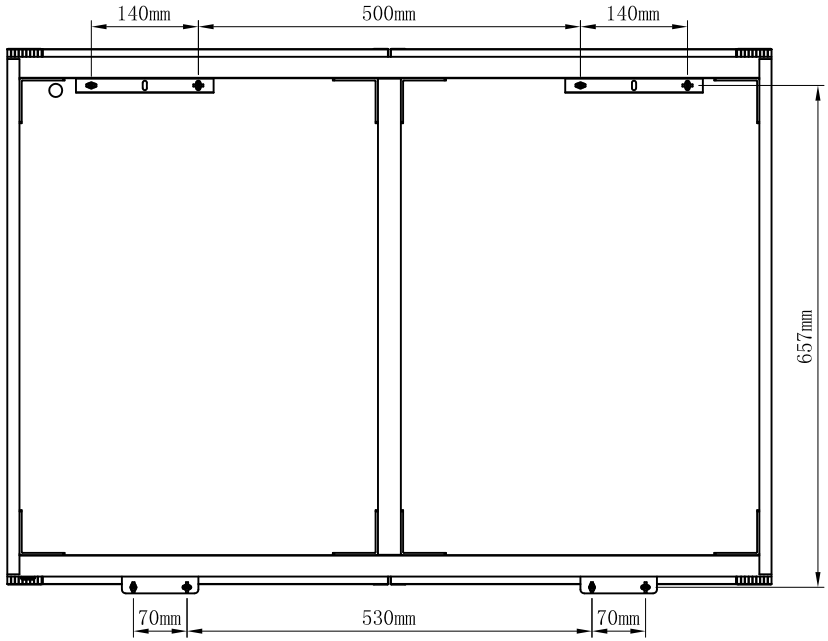
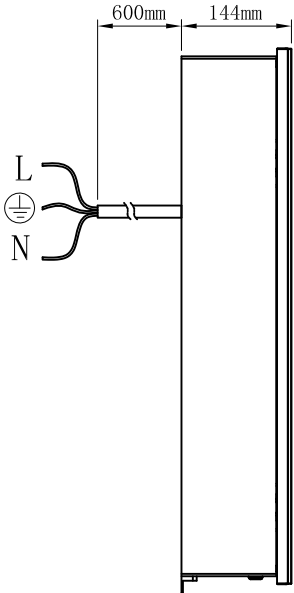
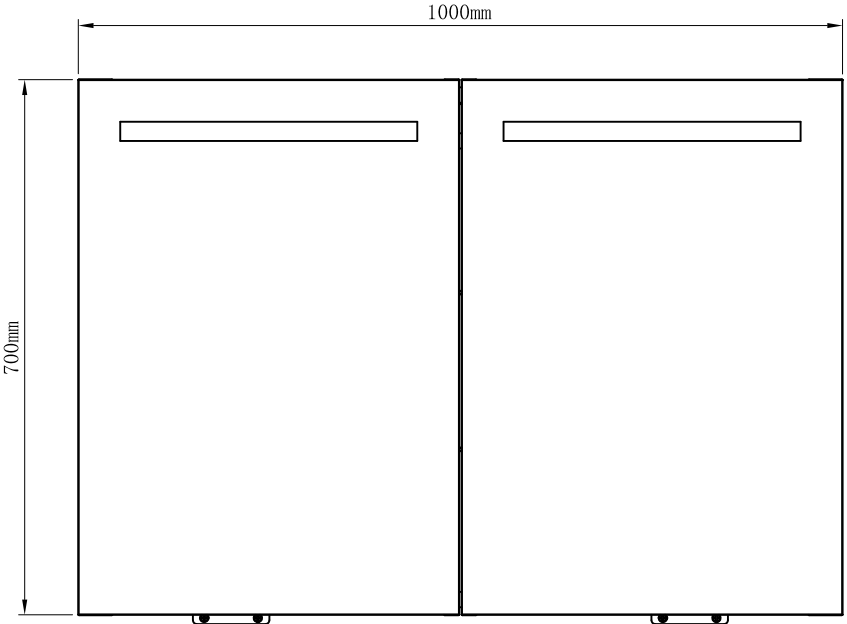
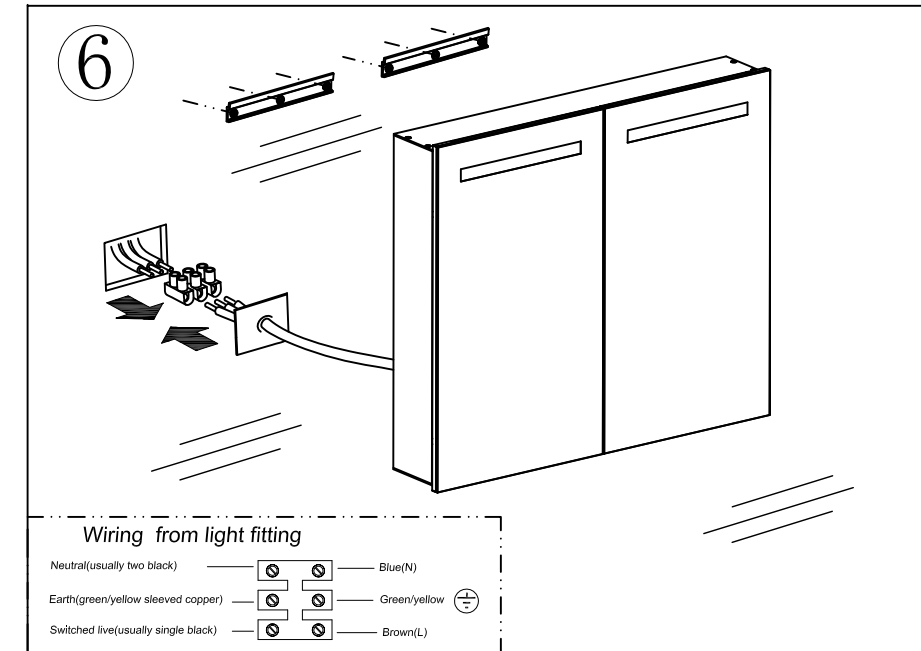
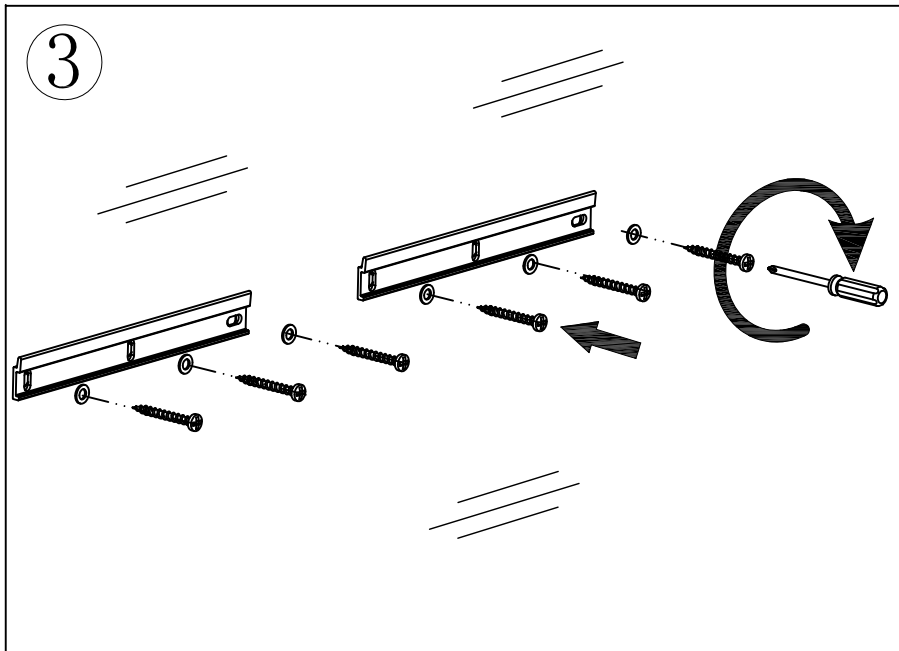
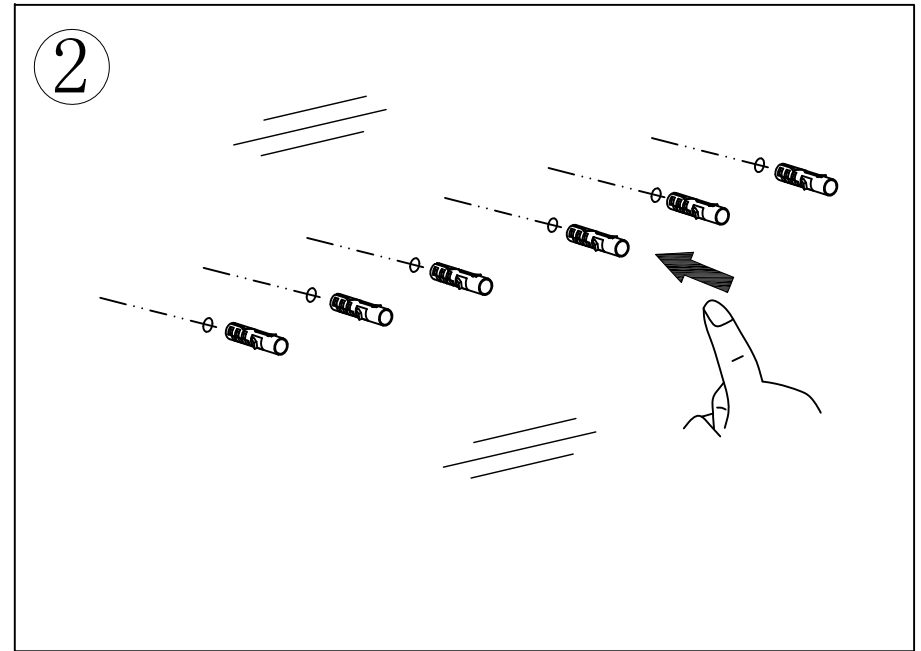
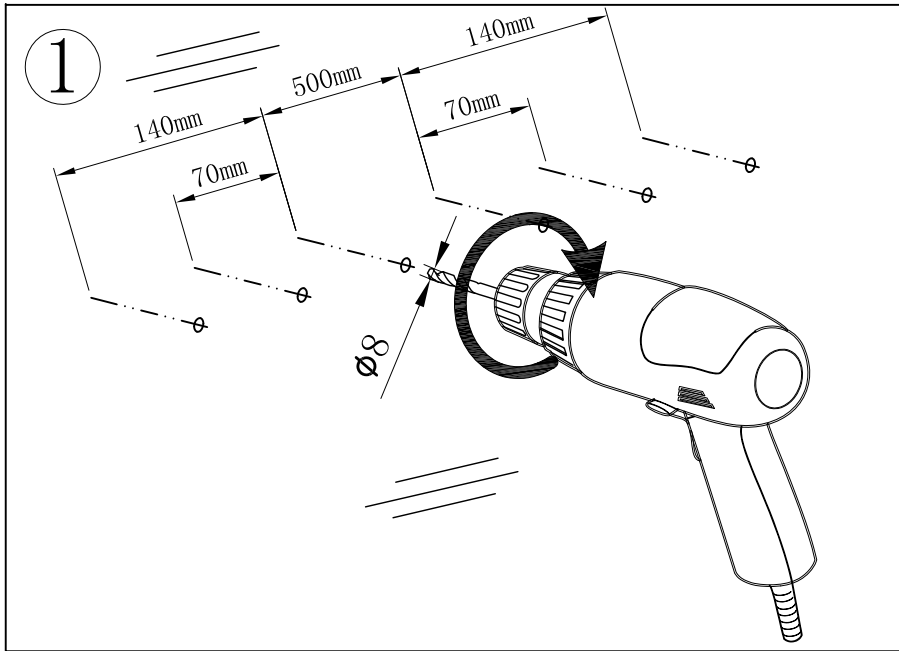
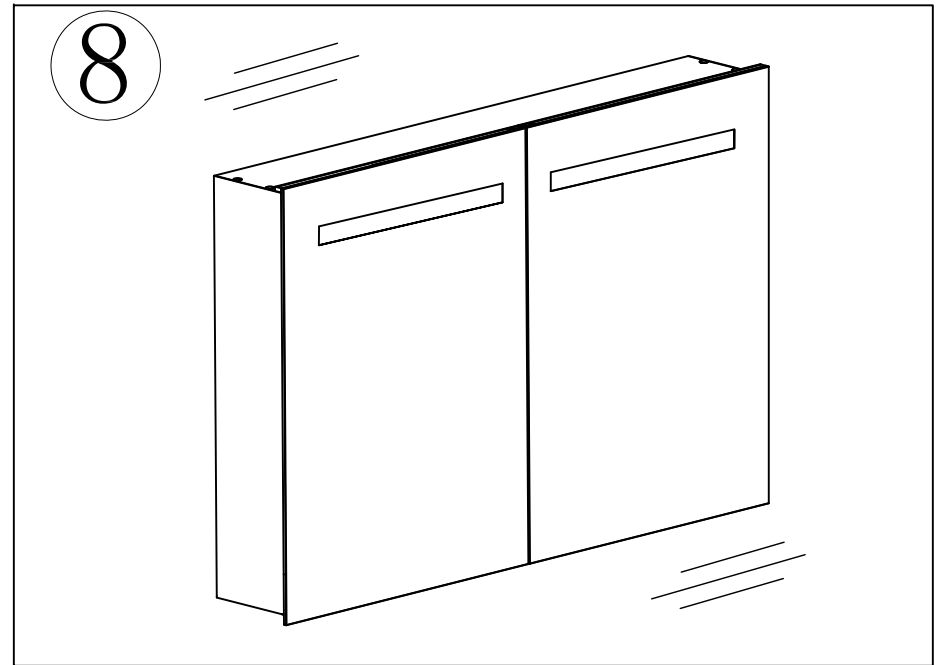
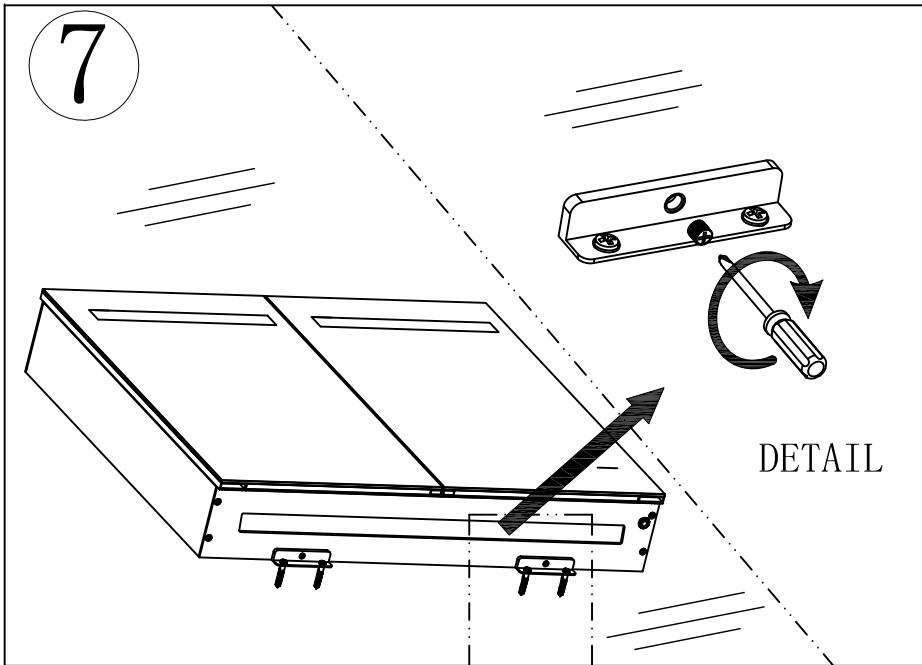
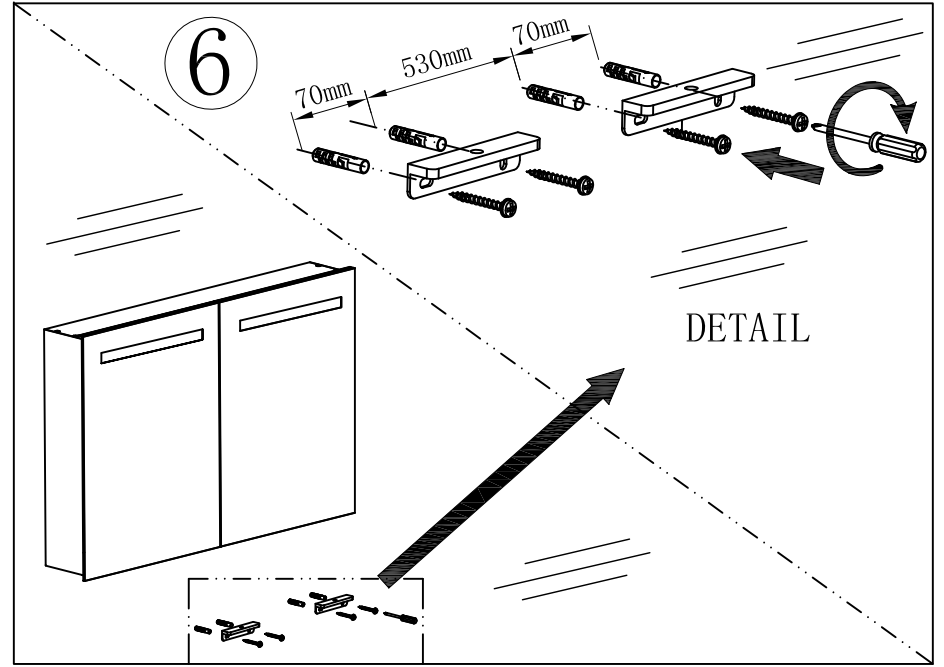
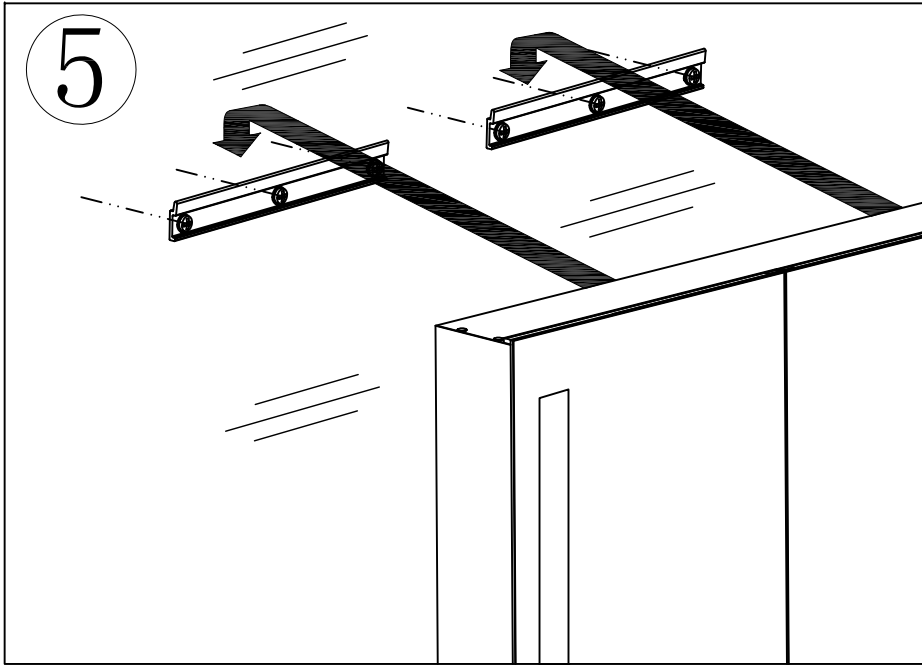


The line drawings for the aluminium cabinet (K521) 700mm(height)x1000mm(width)



INSTALLATION INSTRUCTIONS





FIXING INSTRUCTIONS FOR THE ADJUSTABLE GLASS SHELVES

