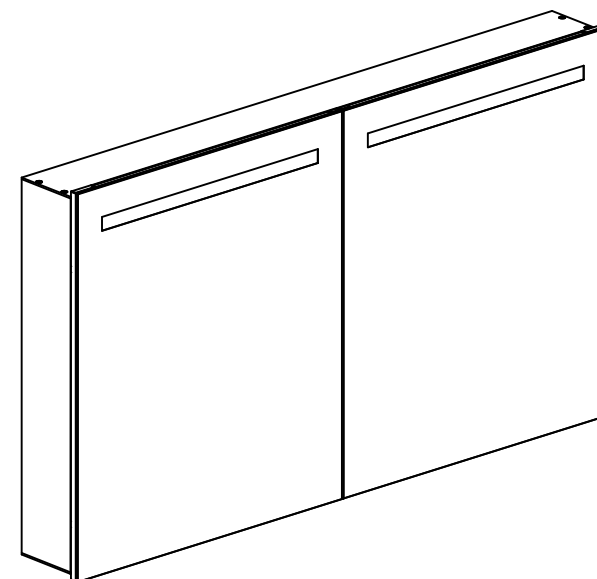
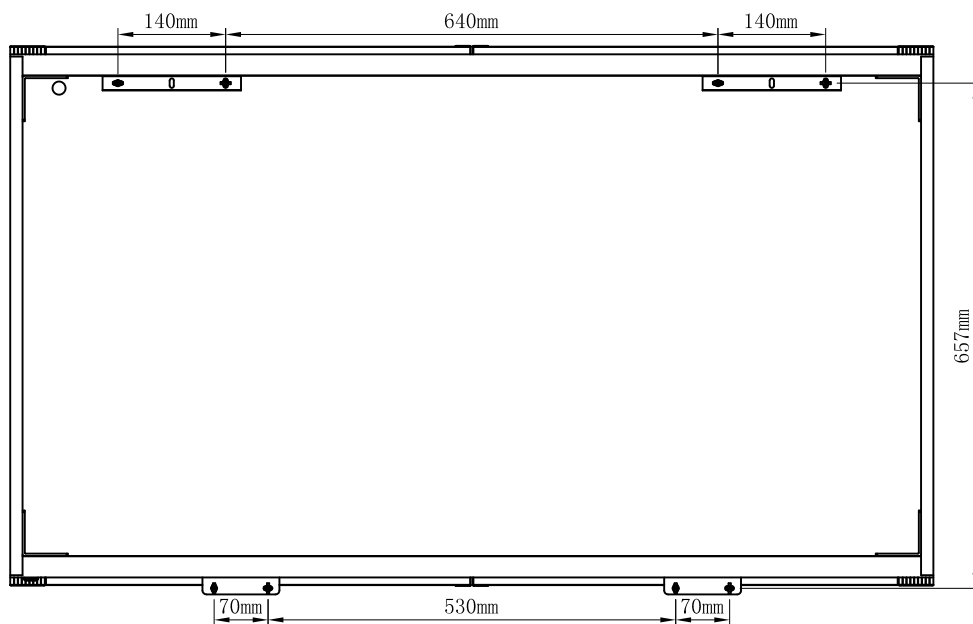
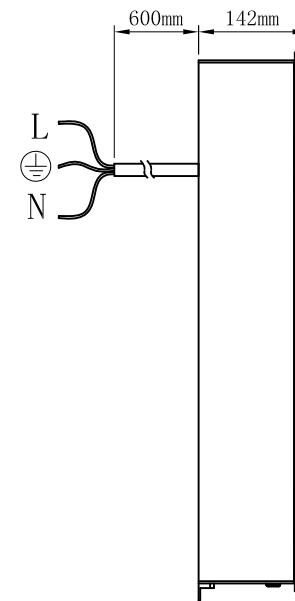
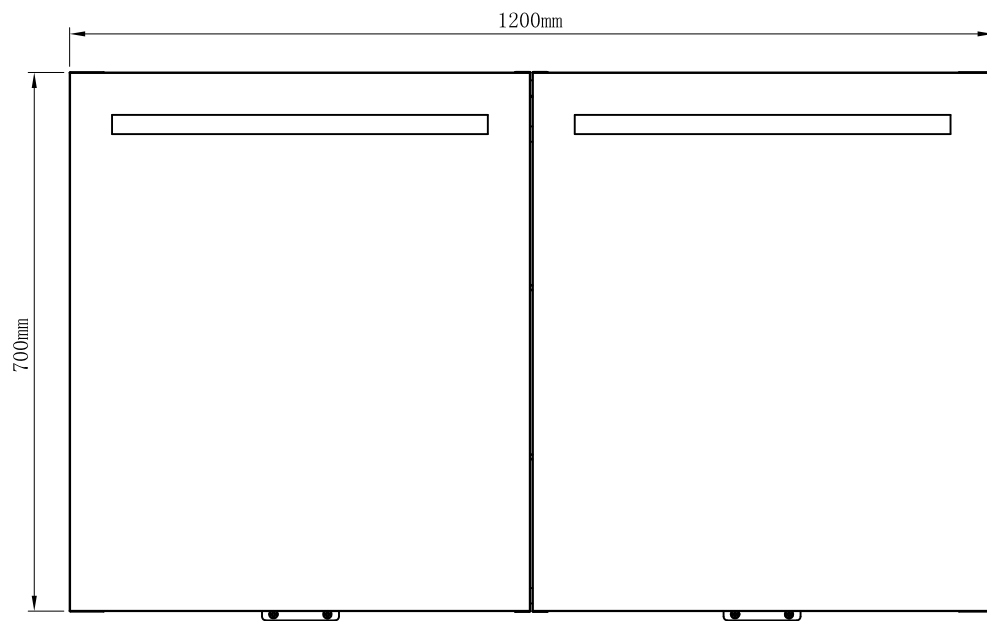
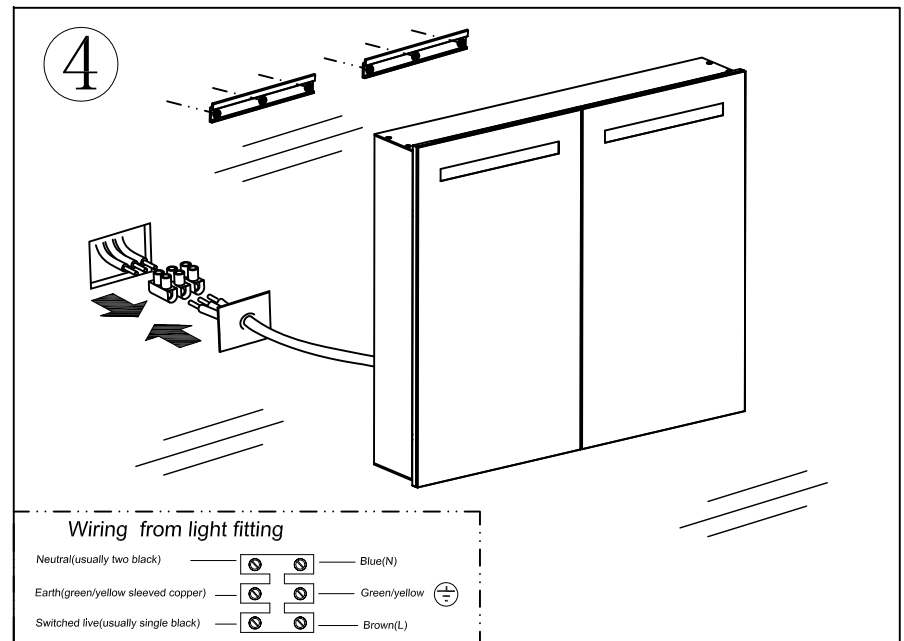
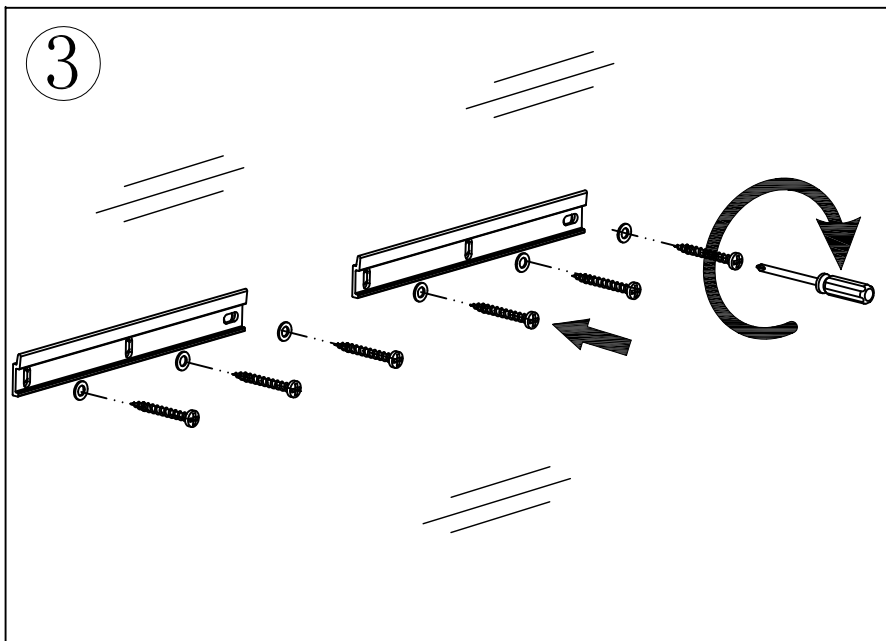
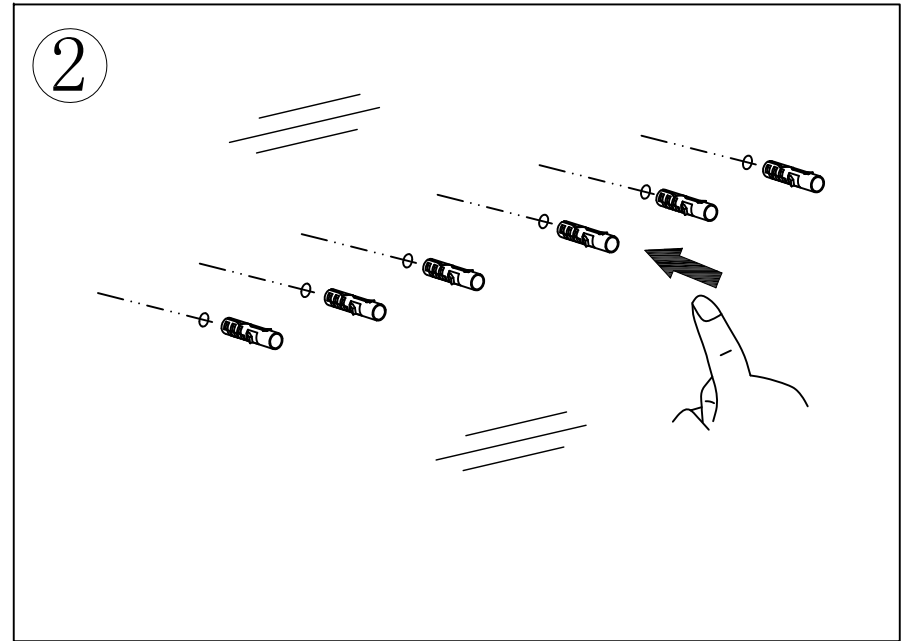
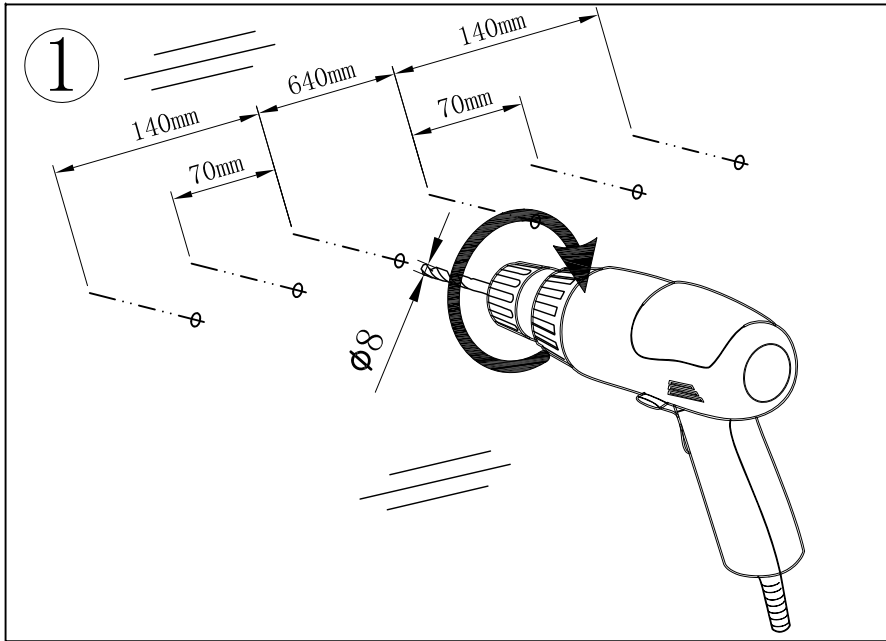
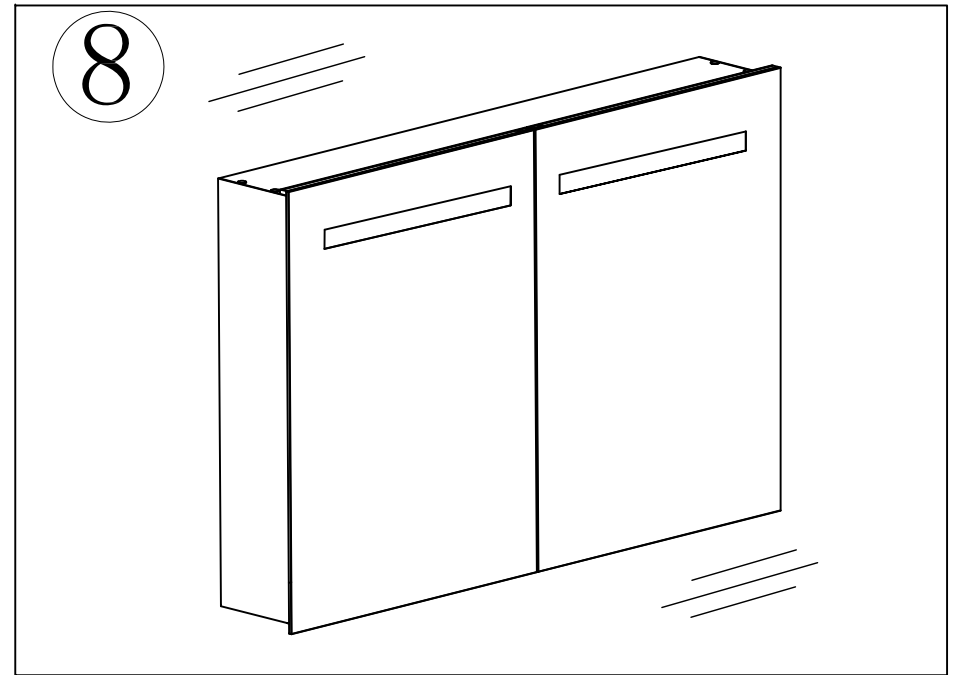
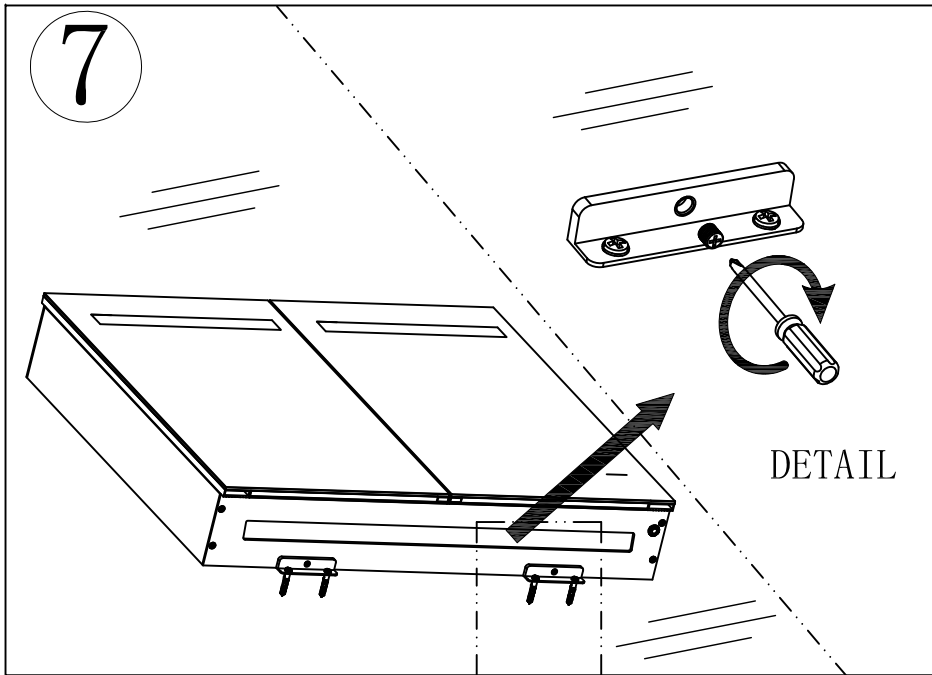
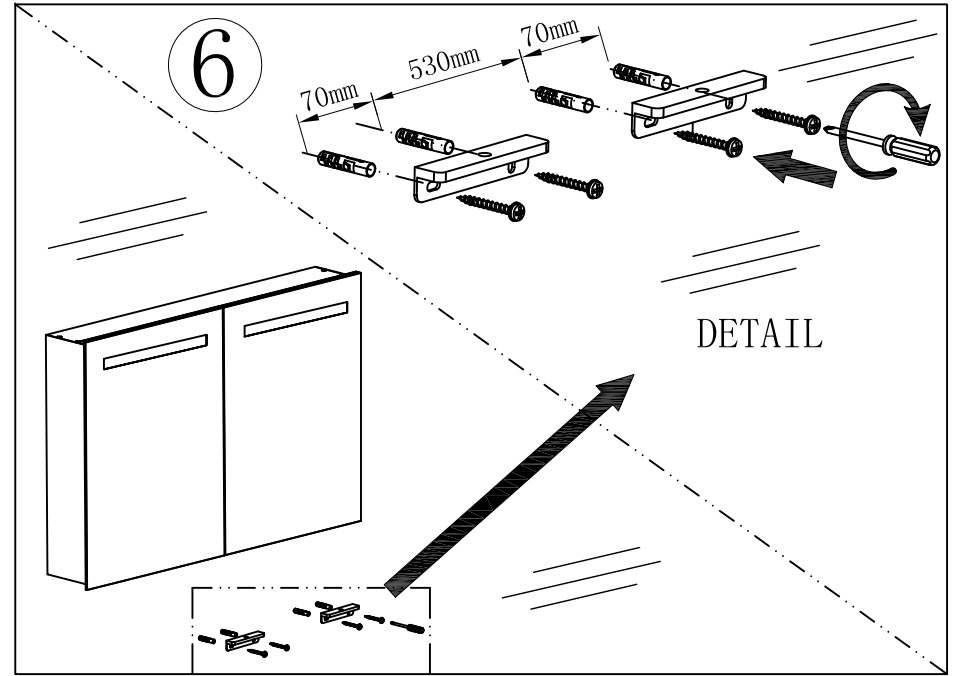
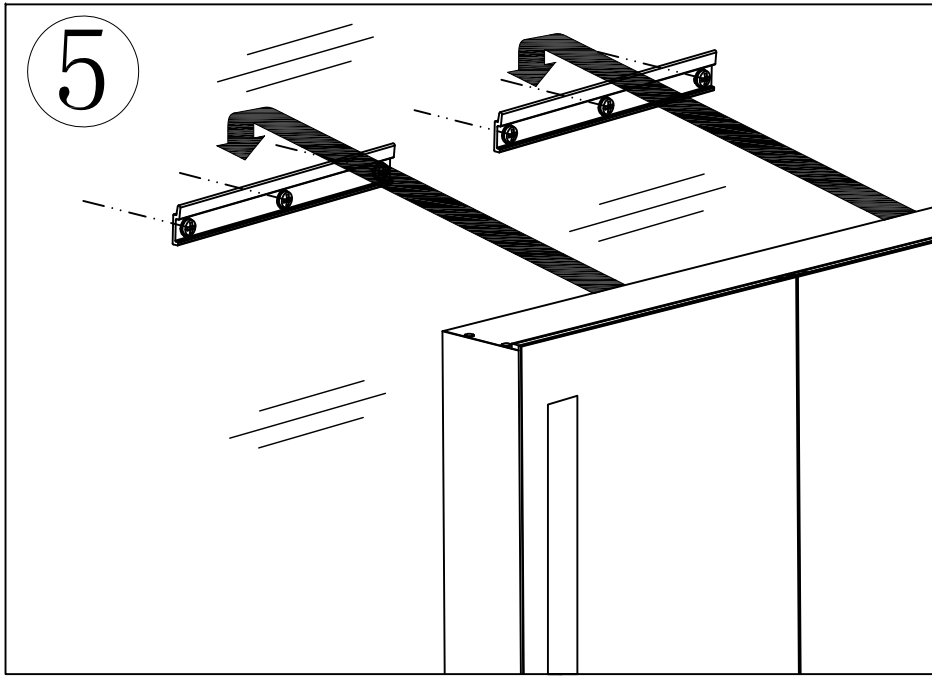


# The line drawings for the aluminium cabinet (K522) 700mm(height)x1200mm(width)



# INSTALLATION INSTRUCTIONS





# FIXING INSTRUCTIONS FOR THE ADJUSTABLE GLASS SHELVES

