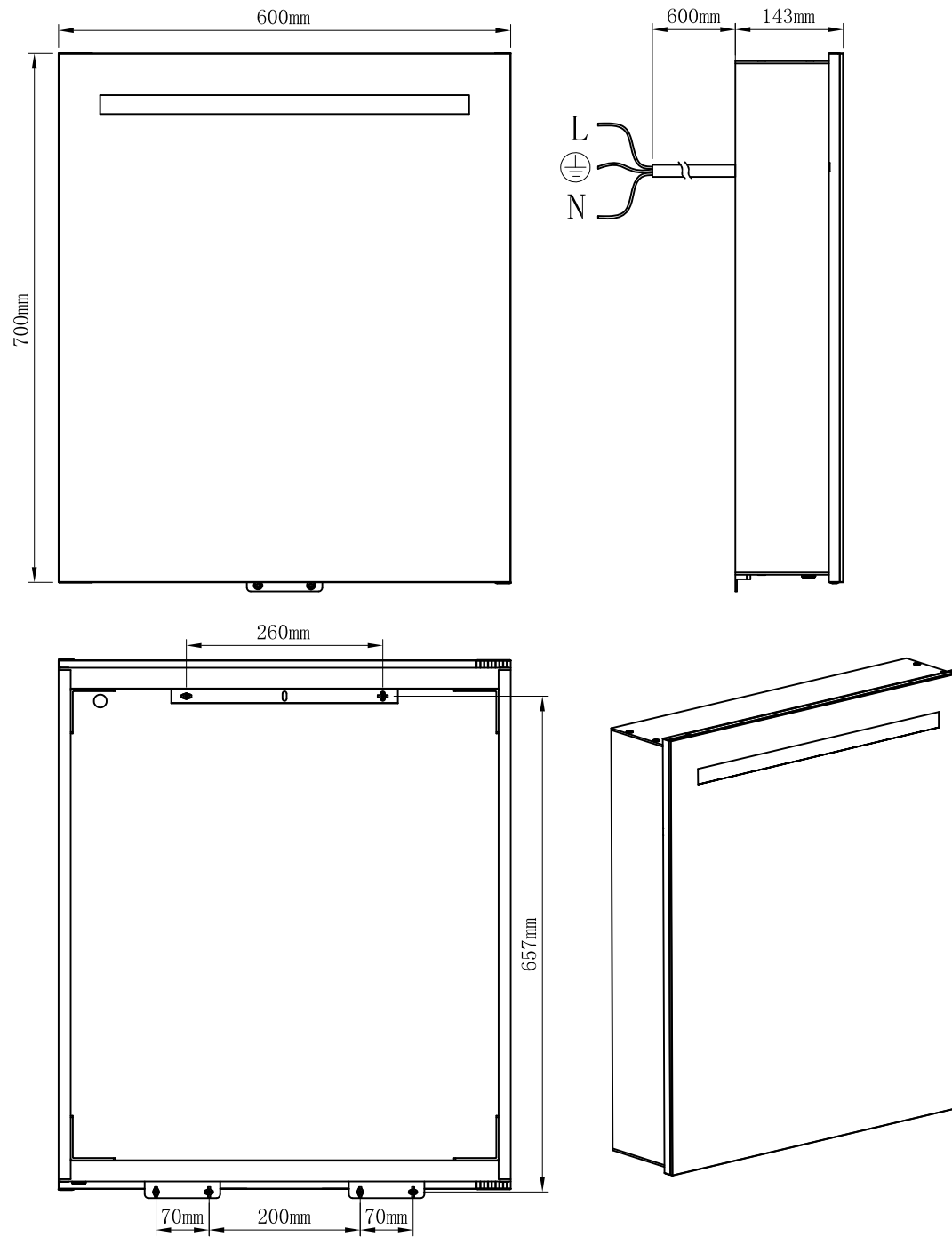
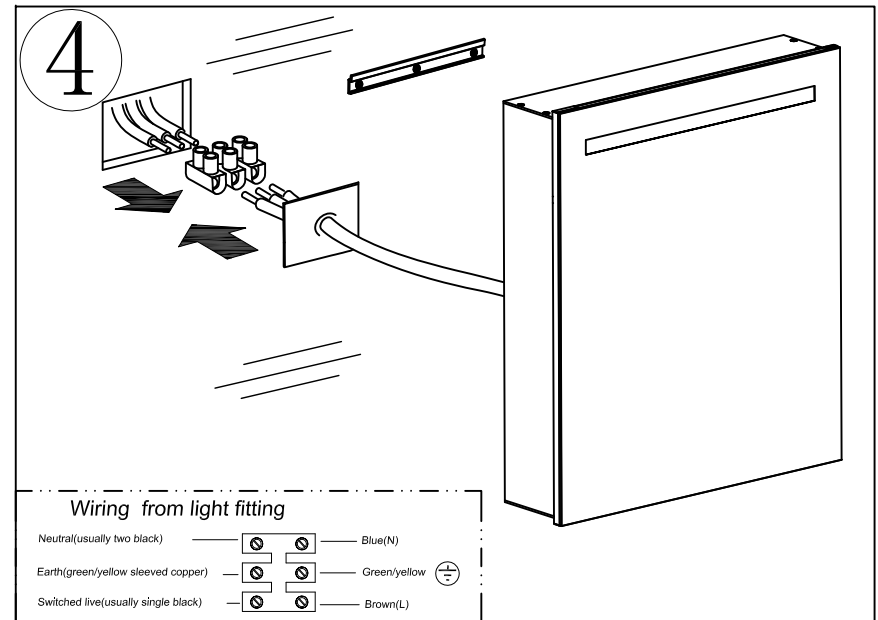
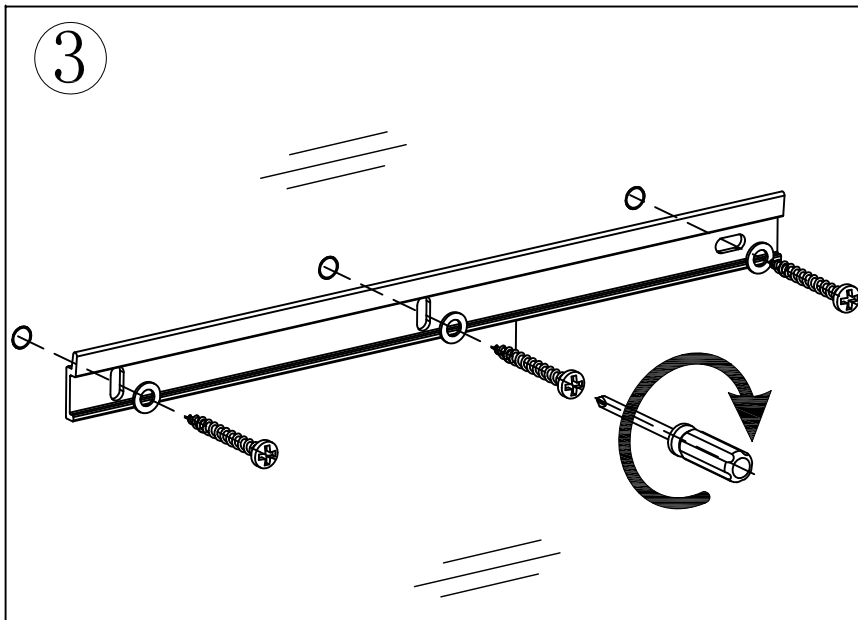
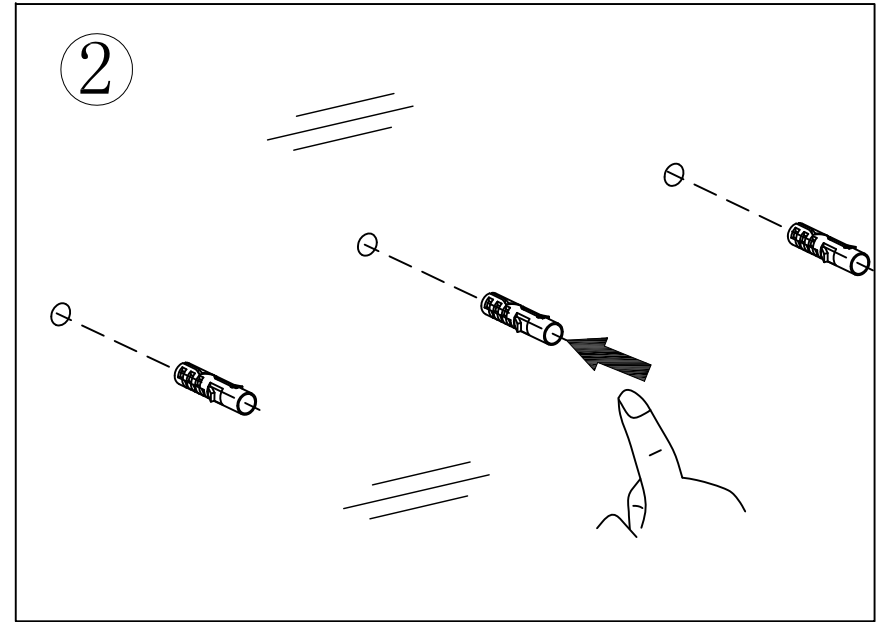
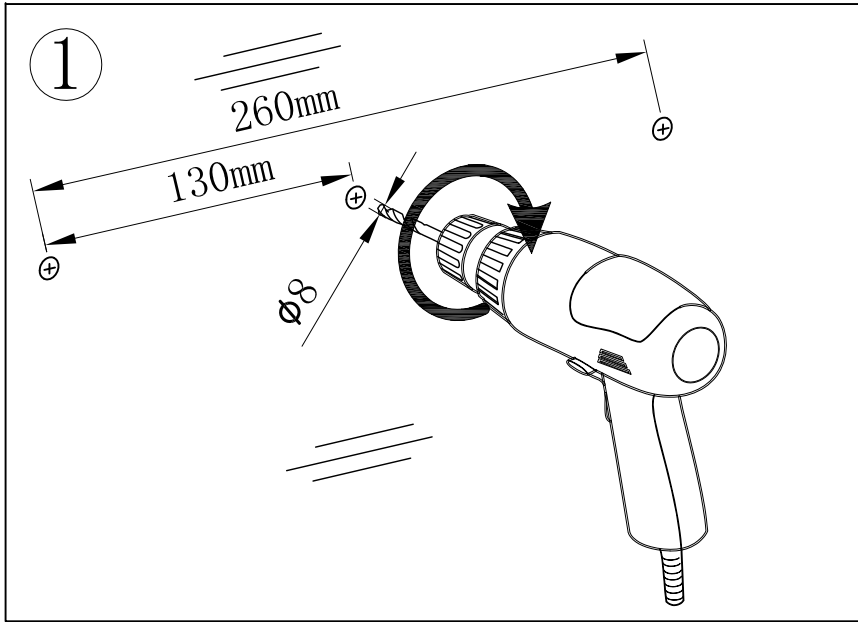
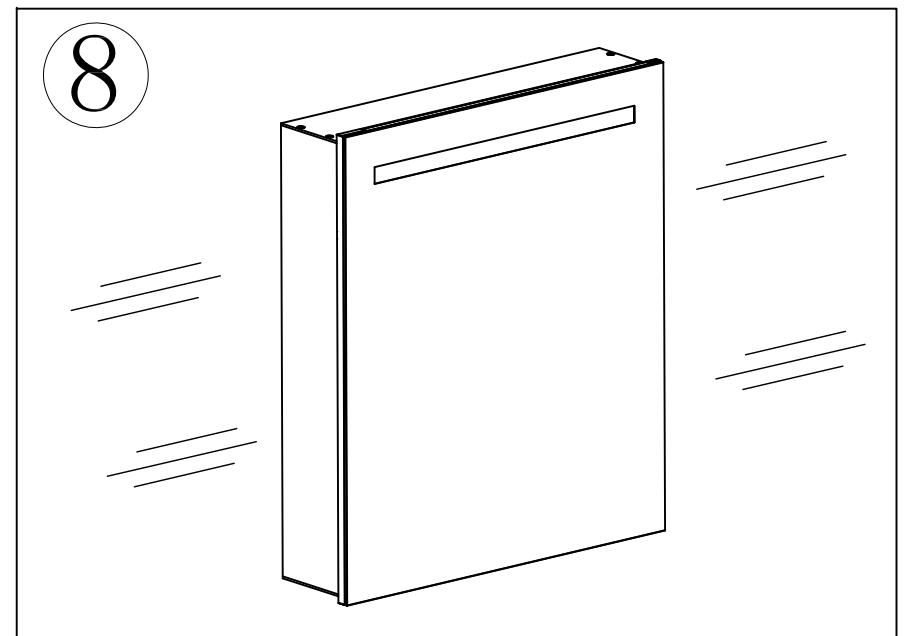
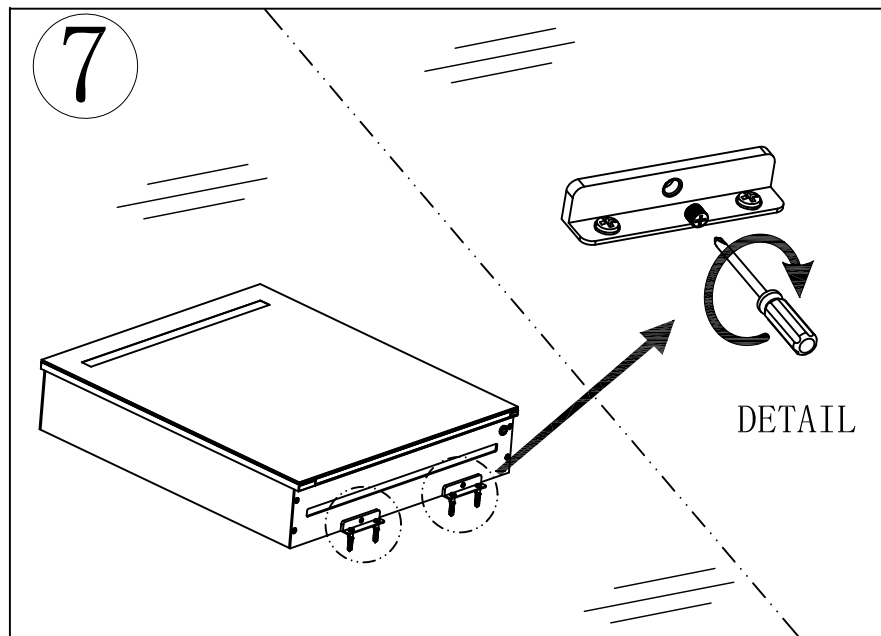
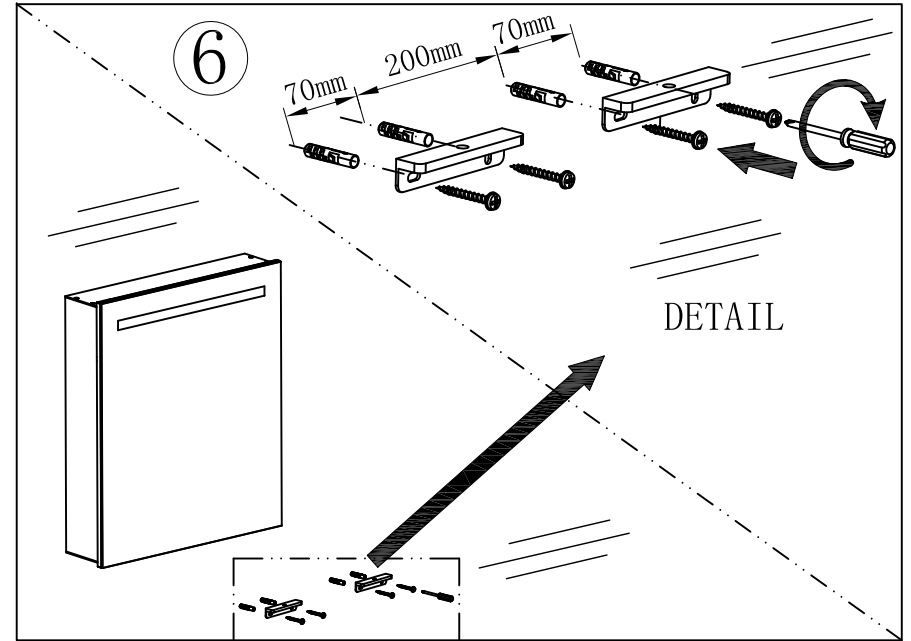
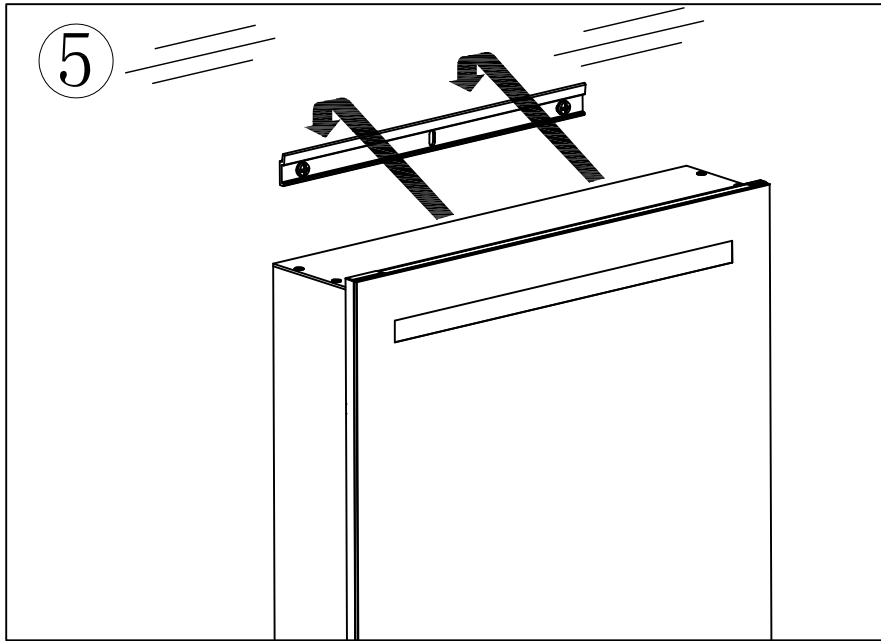


The line drawings for the aluminium cabinet(K519) 700mm(height)x600mm(width)



# INSTALLATION INSTRUCTIONS





# FIXING INSTRUCTIONS FOR THE ADJUSTABLE GLASS SHELVES

